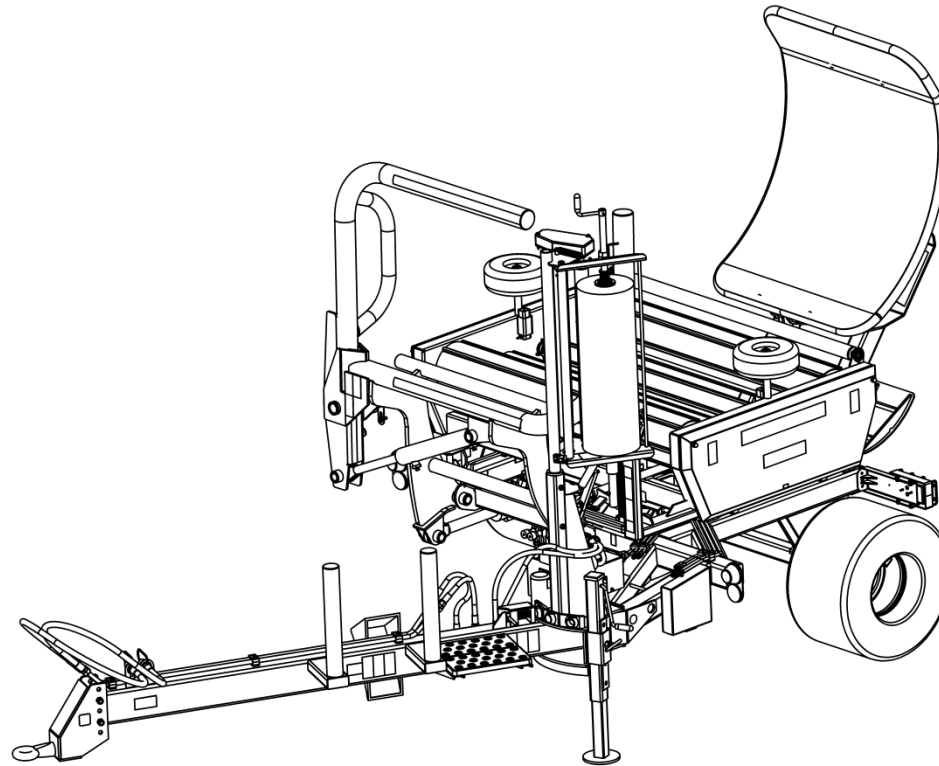


SPARE PARTS CATALOGUE

SELF-LOADING BALE WRAPPER

Z593-0E

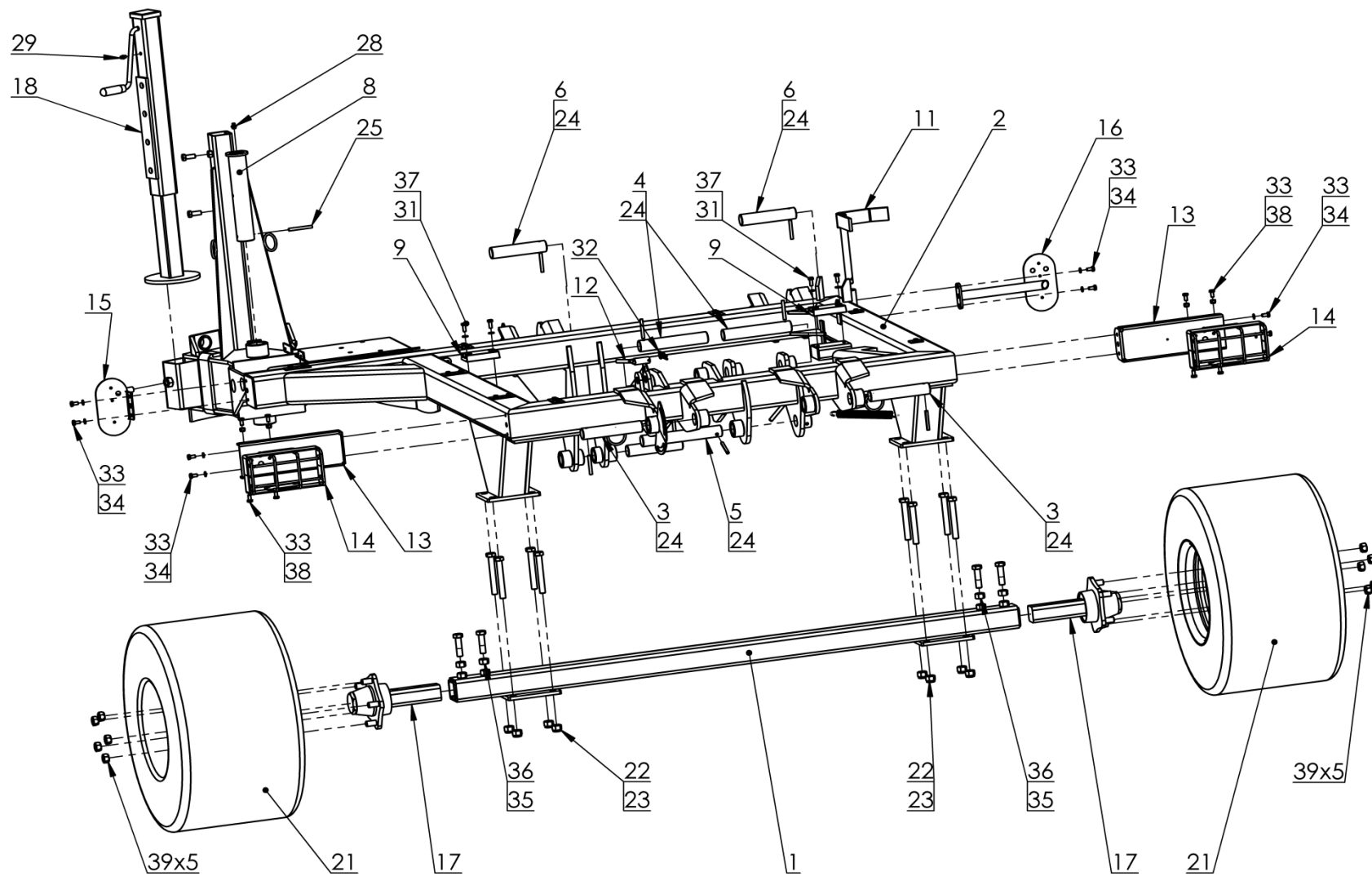


Edition 01/2013

LIST OF CATALOGUE ITEMS

Item no.	Table title	Page no.
1	Lower frame, set	3
2	Movable frame, set	7
3	Rotary frame, set	11
4	Loading arm, set	18
5	Bale positioning device, set	20
6	Hitch, set	22
7	Wrapping film feeder, set	24
8	Hydraulic system	28
9	Lighting electrical system	34
10	Control electrical system	36

Lower frame, set
1/2



Lower frame, set
2/2

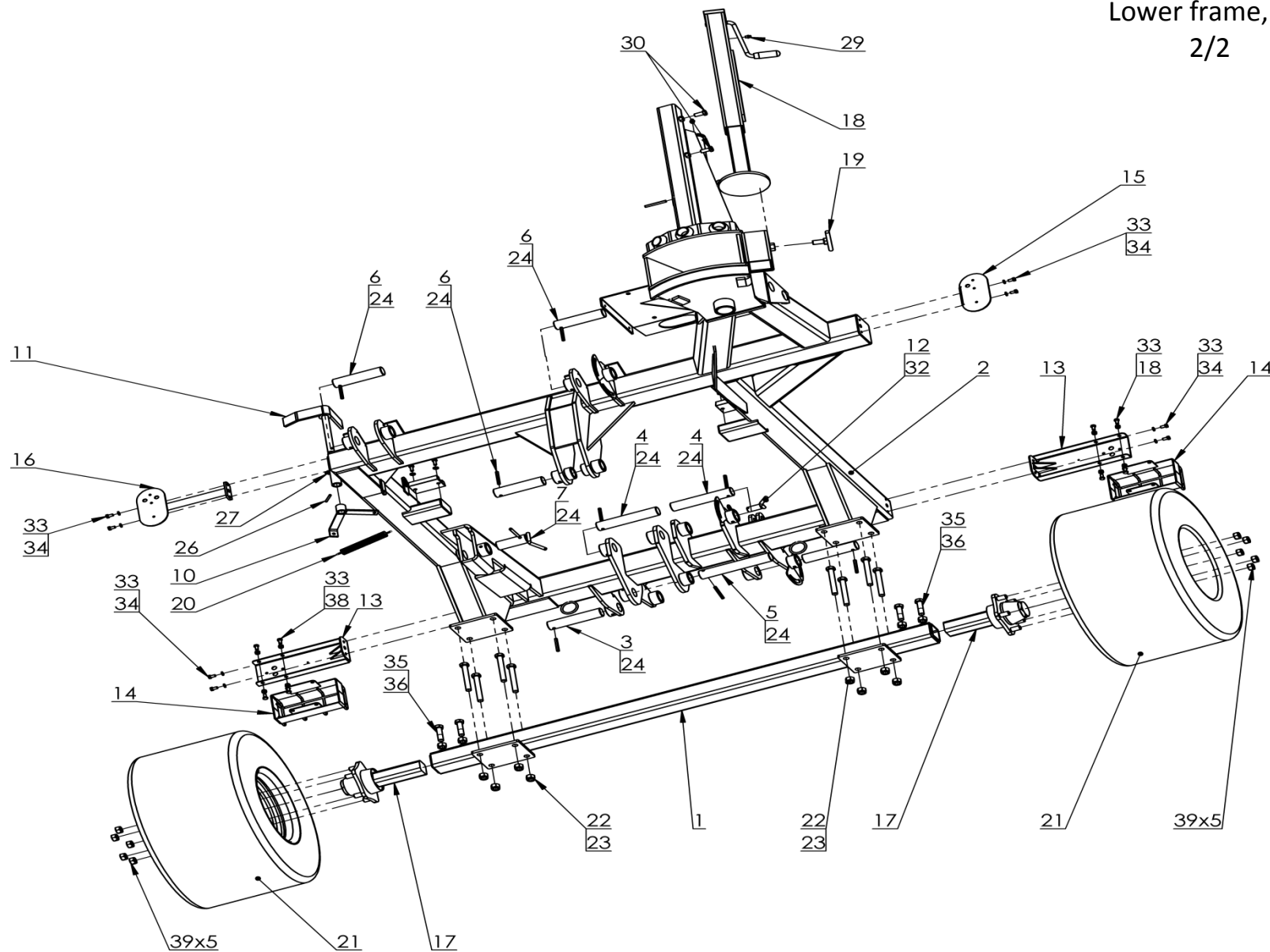


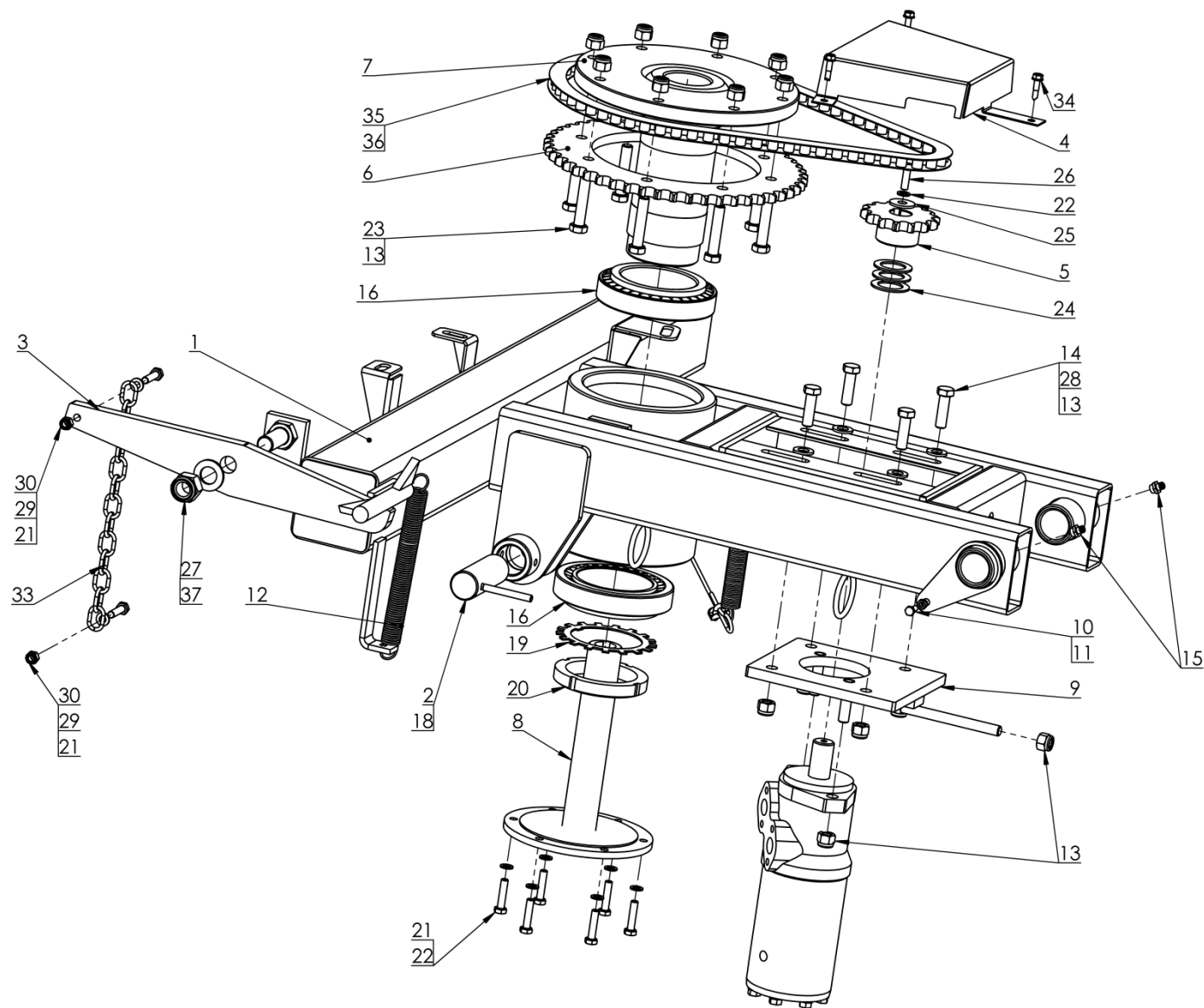
Table 1

LOWER FRAME, SET			
No. in dwg	Name of assembly or part	Drawing number or index	Quantity (pcs.)
1	Axle, set	Z-593 01.01.00	1
2	Chassis frame	Z-593E 01.02.00.3	1
3	Pin I	Z-593 01.00.03	2
4	Pin II	Z-593 01.00.04	2
5	Pin III	Z-593 01.00.05	1
6	Pin IV	Z-593 01.00.06.1	3
7	Pin V	Z-593 01.07.00.1	1
8	Hitch pin	Z-593 01.08.00.1	1
9	Rubber fender	POD-TSZ-0000007-1	2
10	Lever II	Z-577 00.05.00	1
11	Lever I	Z-593 01.11.00.1	1
12	Pin VI	Z-593 01.12.00	1
13	Light support	Z-593E 01.03.00	2
14	Light cover	Z-593E 01.04.00	2
15	Front lamp bracket I	Z-593 01.00.15	1
16	Front lamp bracket II	Z-593 01.16.00	1
17	Axle shaft	Z-593 01.01.04	2
18	Adjustable support stand	Z-237 00.28.00	1
19	Foot pressure element	Z-237 01.28.00	1
20	Spring II (spring maz-2048)	23S1.5/20/160	1
21	Wheel 26.5x14.00-12 K-507	POD-KOJ-000047	2
22	Bolt, M16x120 8.8 PN/M-82101	23S16/120 8.8 82101 GALV.	8
23	Nut, M16 PN/M-82175	23N16GALV.	8
24	Spring pin, \varnothing 8x60 PN/M-85023	POD-ELZ-000009-1	9
25	Spring pin, \varnothing 8x70 PN/M-85023	POD-ELZ-000020-1	1

Table 1, continued

LOWER FRAME, SET			
No. in dwg	Name of assembly or part	Drawing number or index	Quantity (pcs.)
26	Spring pin, Ø6x45 PN/M-85023	23K6/45	1
27	Straight grease nipple, M6x1 PN/M-86002	23SM	1
28	Straight grease nipple, M10x1 PN/M-86002	23SM10/1	1
29	Straight grease nipple, M8x1 PN/M-86002	23SM8	1
30	Bolt, M12x30 8.8 PN/M-82105	23S12/30GALV. 8.8	2
31	Flat washer M8 PN/M-82005	23P8O GALV.	4
32	Spring cotter pin, single, Ø4 DIN 11024	23ZRFI4	1
33	Bolt, M8x16 8.8 PN/M-82105	23S8/16 8.8 82105 GALV.	16
34	Spring washer, M8 PN/M-82175	23P8SP GALV.	8
35	Bolt, M16x60 8.8 PN/M-82105	23S16/60	4
36	Nut, M16 PN/M-82144	23N16GALV.	4
37	Bolt, M8x20 8.8 PN/M-82105	23S8/20 GALV. 8.8	4
38	Nut, M8 PN/M-82175	23NS8GALV.	8
39	Ball nut, M16x1.5 DIN 74361A	-	10

Movable frame, set
1/2



Movable frame, set
2/2

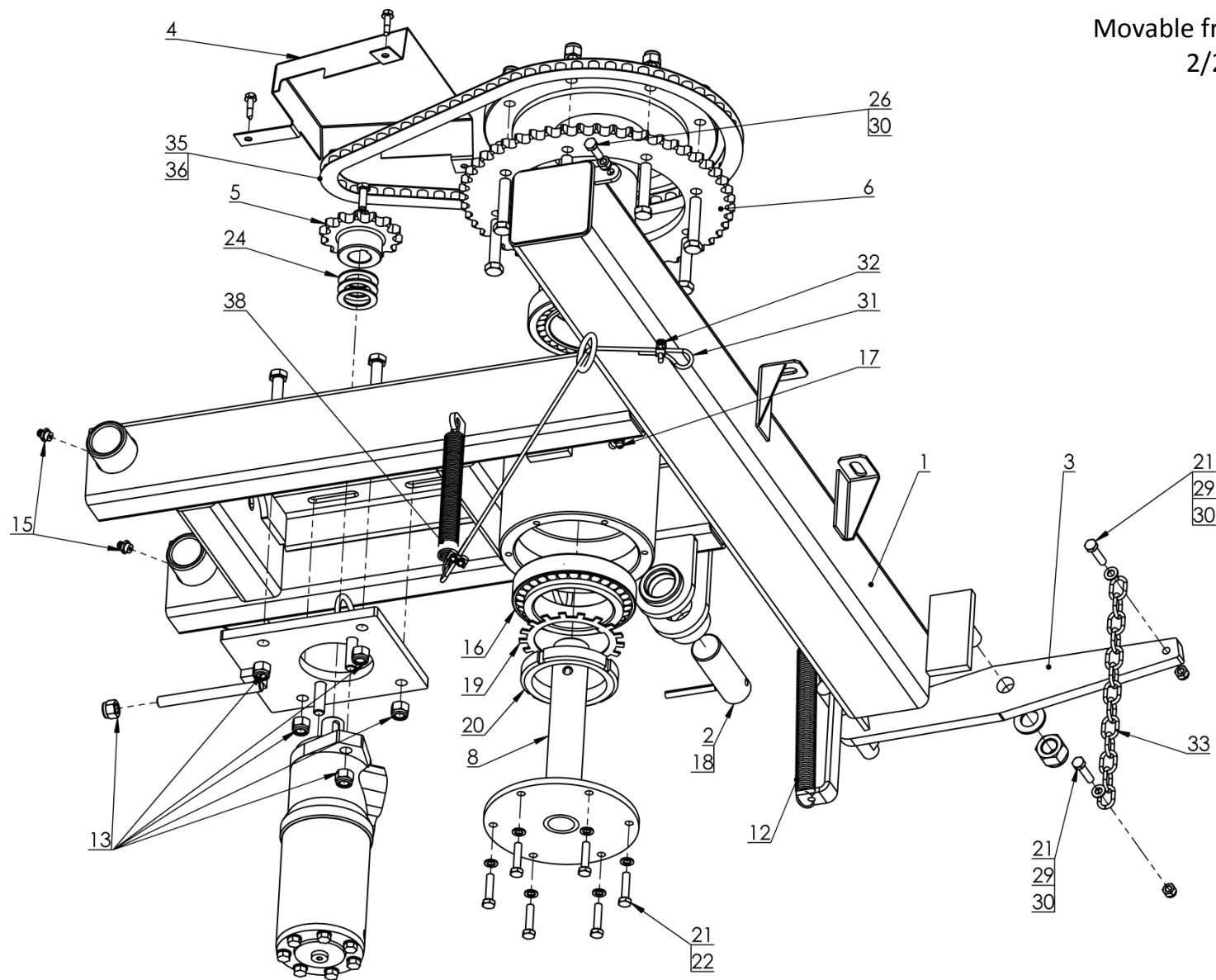


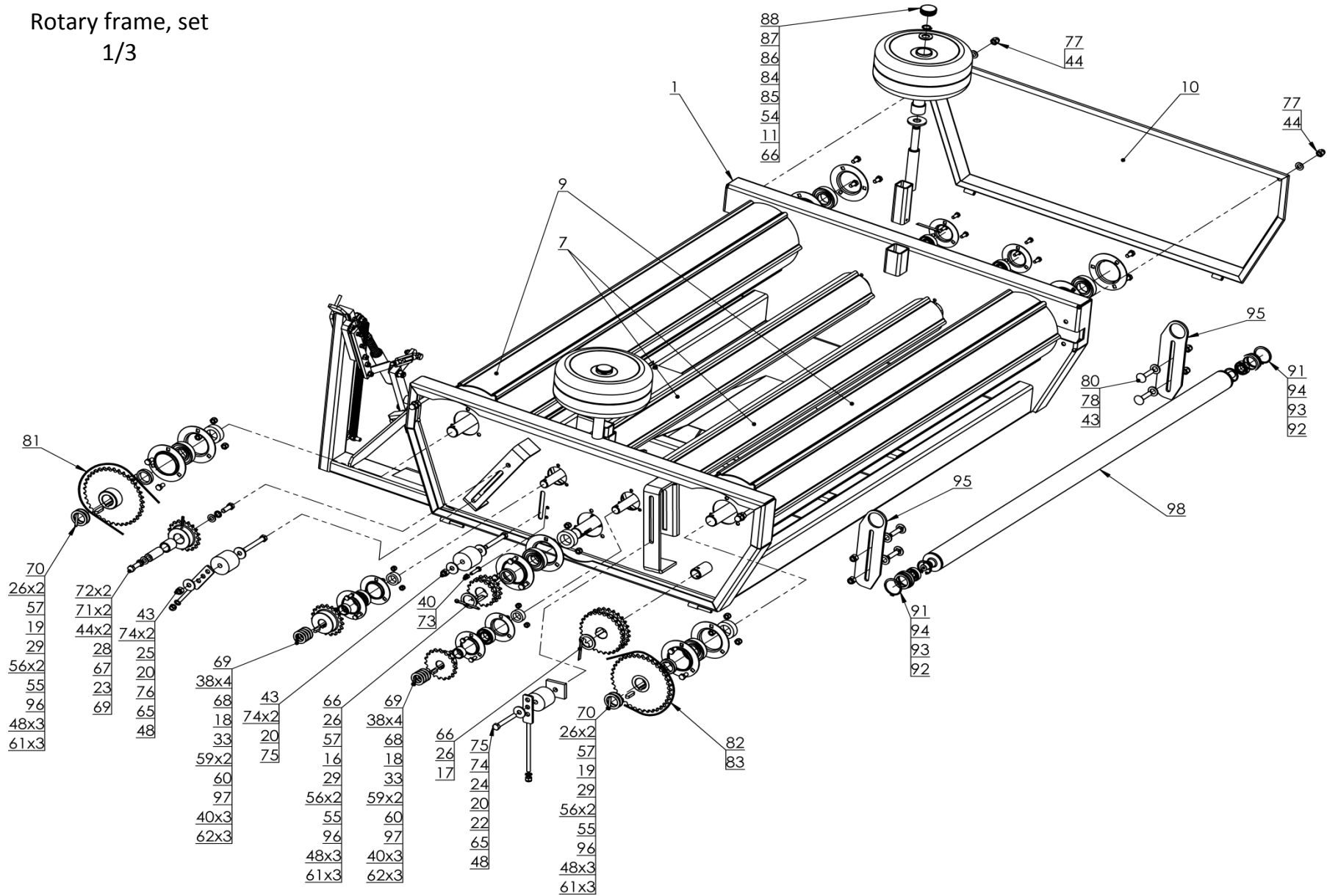
Table 2

MOVABLE FRAME, SET			
No. in dwg	Name of assembly or part	Drawing number or index	Quantity (pieces)
1	Movable frame	Z-593E 02.00.00.1	1
2	Actuator pin	Z-593 02.00.02.1	1
3	Lever, set	Z-593 02.03.00	1
4	Gearbox guard	Z-593 02.00.04	1
5	Z-14 chain wheel	25KLZ-237 00.00.12	1
6	Z-50 chain wheel	25KLZ-237 00.00.14	1
7	Pin, set	Z-237 00.15.00	1
8	Axle, set	Z-237 16.00.00	1
9	Engine support	Z-577 00.10.00	1
10	Bolt, M6x16 8.8 PN/M-82105	23S6/120C 8.8	1
11	Nut, M6 PN/M-82175	23NS60C	1
12	Spring II	23SP/2/20/200	1
13	Nut, M12 PN/M-82175	23NS120C	15
14	Bolt, M12x40 8.8 PN/M-82105	23S12/40 GALV. 8.8	4
15	Grease nipple, M10x1 PN/M-86002	23SM10/1	2
16	Cone bearing, 32018 XA	25L32018	2
17	Grease nipple, M10x1 90° PN/M-82003	25L32018	1
18	Spring pin, Ø8x60 PN/M-85023	POD-ELZ-000009-1	1
19	Bearing nut MB17	25PL	1
20	Bearing nut KM17	25L17KM	1
21	Bolt, M8x35 8.8 PN/M-82105	23S8/250C8.8	8
22	Spring washer M8 PN/M-82008	23P8SP GALV.	7
23	Bolt, M12x60 8.8 PN/M-82101	23S12/60 GALV. 8.8	8
24	Washer, Ø30	Z-593 02.00.06	3
25	Washer M10 PN/M-82030	23P10 GALV. 030	1

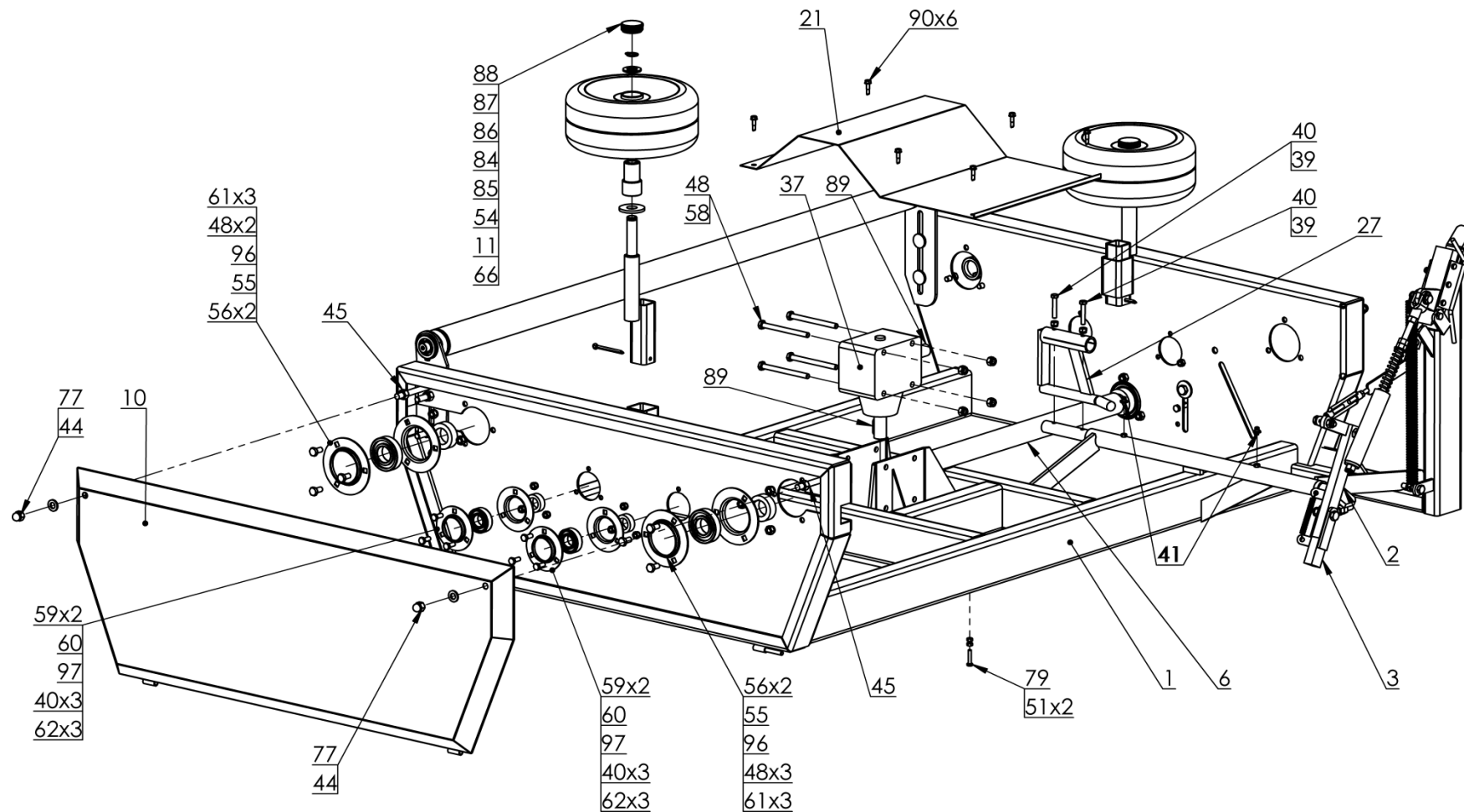
Table 2, continued

MOVABLE FRAME, SET			
No. in dwg	Name of assembly or part	Drawing number or index	Quantity (pcs.)
26	Bolt, M8x25 8.8 PN/M-82105	23S8/250C8.8	2
27	Nut, M20 PN/M-82175	23NS20 GALV. 82175	1
28	Washer, M12 PN/M-82005	23P120C	4
29	Washer, M8 PN/M-82005	23P800C	2
30	Nut, M8 PN/M-82175	23NS80C	3
31	Cable Ø4	23LS4	L=850 mm
32	Rope clamp	23ZL	2
33	Galvanised technical chain, 6.0x20.4x31.3 DIN766	POD-LAN-000051	L=750 mm
34	Self-tapping screw, 6.3x25, head for a wrench	28W6.3x25 GALV.	3
35	Roller chain 12B1, 63 links PN/M-84168	POD-LAN-000053	1
36	Straight fastening link, 12B1 PN/M-821468	POD-LAN-000004-1	1
37	Washer, M20 PN/M-82005	23P200 GALV.	1
38	Spring 1	23S1.5/20/160	1

Rotary frame, set
1/3



Rotary frame, set
2/3



Rotary frame, set
3/3

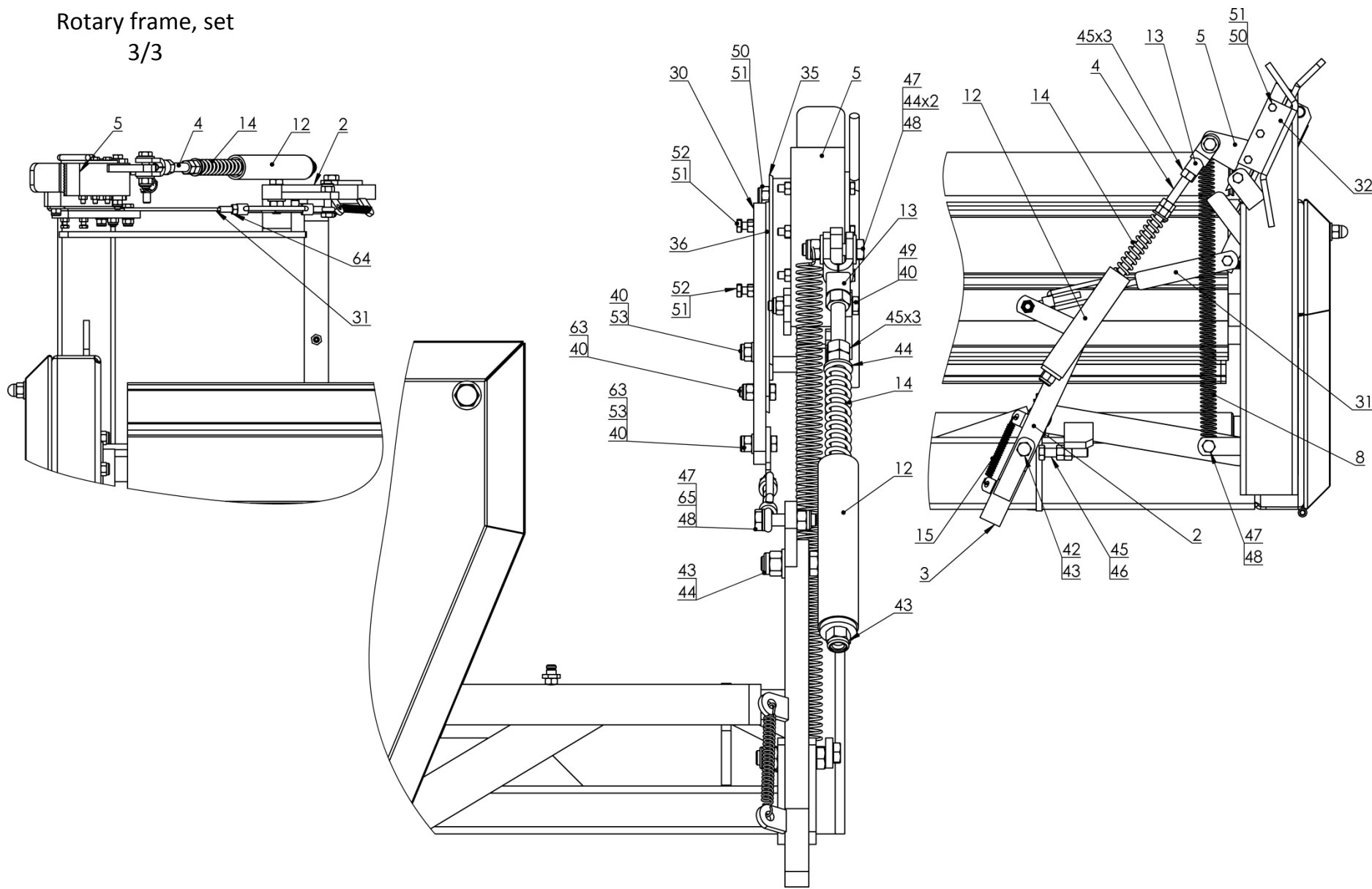


Table 3

ROTARY FRAME, SET			
No. in dwg	Name of assembly or part	Drawing number or index	Quantity (pcs.)
1	Rotary frame	Z-593E 03.01.00	1
2	Latch	Z-593 03.02.00	1
3	Latch II	Z-593 03.03.00	1
4	Rod, M12	Z-593 03.00.04	1
5	Pressure element, set	Z-593 03.05.00	1
6	Wheel drive shaft, Z-17	Z-593 03.00.06.1	1
7	Thin shaft	Z-593 03.08.00	2
8	Spring II	23SP/2/20/200	1
9	Thick shaft	Z-593 03.09.00	2
10	Side guard	Z-593 03.10.00	2
11	Side wheel bracket	Z-593 03.11.100	2
12	Tube, set	Z-237 33.03.100	1
13	Rod eye	Z-237 33.02.02	1
14	Spring II	23SS3/22/230	1
15	Spring II	23S1.5/10/80	1
16	Z-17 chain wheel	25KLZ-237 33.00.12	1
17	Z-27 chain wheel	25KLZ-237 33.00.15	1
18	Z-19 chain wheel	25KLZ-237 33.17.16	2
19	Z-37 wheel	25KLZ-237 33.17.00	2
20	Chain tensioner I	Z-237 33.00.27	3
21	Gearbox guard	Z-237 33.00.31	1
22	Block, M12	Z-237 33.00.32	1
23	Z-19 chain wheel	25KLZ-237 33.00.48	1
24	Stretcher pull II	Z-237 33.64.00	1
25	Stretcher pull I	Z-237 33.66.00	1
26	Washer I	Z-237 33.00.14	6

Table 3, continued

ROTARY FRAME, SET			
No. in dwg	Name of assembly or part	Drawing number or index	Quantity (pcs.)
27	Cutter lever	Z-577 03.06.00	1
28	Wheel axle, Z-19	Z-237 33.00.10	1
29	Spacing bushing II	Z-237 33.00.13	3
30	Movable cutter holder	Z-577 03.17.51.1	1
31	Rod, set	Z-577 03.17.06	1
32	Initial pressure element	Z-577 03.17.80	1
33	Spacing bushing III	Z-237 33.00.22	1
34	Spacing bushing IV	Z-237 33.00.24	1
35	Fixed cutter	25NO	1
36	Movable cutter	25NO	1
37	Intersecting axis gear, 1:1.9	25PPS	1
38	Washer V	Z-237 33.00.25	8
39	Bolt, M8x45 8.8 PN/M-82105	23S8/45GALV 8.8	2
40	Nut, M8 PN/M-82175	23NS8GALV	20
41	Straight grease nipple, M6x1 PN/M-86002	23SM	2
42	Bolt, M12x50 8.8 PN/M-82105	23S12/50GALV	1
43	Nut, M12 PN/M-82175	23NS12GALV	10
44	Washer, M12 PN/M-82005	23P12GALV	10
45	Nut, M12 PN/M-82144	23N12GALV	8
46	Bolt, M12x60 8.8 PN/M-82101	23S12/60GALV 8.8	1
47	Bolt, M10x45 8.8 PN/M-82105	23S10/45GALV	3
48	Nut, M10 PN/M-82175	23NS10GALV	24
49	Bolt, M8x70 8.8 PN/M-82101	23S8/70GALV	1
50	Bolt, M6x60 8.8 PN/M-82101	23S6/60GALV 8.8	3
51	Nut, M6 PN/M-82144	23N6GALV	7
52	Bolt, M6x20 8.8 PN/M-82105	23S6/20	2

Table 3, continued

ROTARY FRAME, SET			
No. in dwg	Name of assembly or part	Drawing number or index	Quantity (pcs.)
53	Washer, M8 PN/M-82005	23P80GALV	2
54	Washer, M20 PN/M-82030	POD-ELZ-000459	2
55	Bearing, FD207 2RS	25L207	5
56	Bearing holder, P-207	25OP207	10
57	Parallel key, 10x8x36 PN/M-85005	23WP10/8/36	3
58	Bolt, M10x120 8.8 PN/M-82101	23S10/120GALV	4
59	Bearing holder, P-205	25OP205	8
60	Bearing, FD205 2RS	25L205	4
61	Bolt, M10x20 8.8 PN/M-82105	23S10/20GALV 8.8	15
62	Bolt, M8x20 8.8 PN/M-82105	23S8/20GALV 8.8	12
63	Bolt, M8x25 8.8 PN/M-82105	23S8/25GALV 8.8	2
64	Nut, M8 PN/M-82144	23N8GALV	1
65	Washer, M10 PN/M-82005	23P10 82005	4
66	Cotter pin, Ø6.3x63 PN/M-82001	23Z6/63	4
67	Self-lubricating bush, 25H7/32.6x35	25T25/32.6/35	1
68	Parallel key, 8x7x25 PN/M-85005	23WP8/7/25	2
69	Spring pin, Ø6x32 PN/M-85023	23K6/32	3
70	Spring pin, Ø6x45 PN/M-85023	23K6/45	2
71	Washer, M12 PN/M-82008	23P12SP	2
72	Bolt, M12x35 8.8 PN/M-82105	23S12/35GALV 8.8	2
73	Bolt, M8x35 8.8 PN/M-82105	23S8/35GALV 8.8	1
74	Washer, M12 PN/M-82030	23P120GALV	5
75	Bolt, M12x90 8.8 PN/M-82101	23S12/90 101GALV	2
76	Bolt, M12x100 8.8 PN/M-82101	23S12/100OGALV 8.8	1
77	Nut, M12 PN/M-82181	23N12KOL	4
78	Washer, M16 PN/M-82005	23P16OGALV	4

Table 3, continued

ROTARY FRAME, SET			
No. in dwg	Name of assembly or part	Drawing number or index	Quantity (pcs.)
79	Bolt, M6x30 PN/M-82105	23S6/30 8.8 82105GALV	1
80	Bolt M12x35 PN/M-82406	POD-ELZ-000486	4
81	Roller chain, 10B-1-99 WZ PN77/M-84168	25LO10B1 99FIRE-RES.	1
82	Roller chain, 10B-1-93 PN77/M-84168	25LO10B1 93FIRE-RES	1
83	Straight fastening link, 10B1 PN77/M-84168	25LO10P	1
84	Side wheel	Z-552 05.02.00	2
85	Wheel bushing	Z-552 05.00.03	2
86	Washer, M20 PN/M-82005	23P20OGALV	2
87	External Seger ring, Z-20 PN/M-85111	23SZ20	2
88	Plug, Ø45 mm 111610	POD-TSZ-000066	2
89	Parallel key, 8x7x32 PN/M-85005	23WP8/7/36	2
90	Self-tapping screw, 6.3x25, head for a wrench	28W6.3x25 GALV	6
91	External Seger ring, Z-50 PN/M-85111	23SZ50	2
92	Internal Seger ring, W-42 PN/M-85111	23SW42	2
93	Bearing, 604 2RS	25L6004	2
94	Roll holder	25ZSZ-577 02.00.25	2
95	Bumper fixing element	Z-593 03.00.13	2
96	Fixing bushing FD207 (set with FD207 bearing)	25L207	5
97	Fixing bushing FD205 (set with FD205 bearing)	25L205	4
98	Tube, set	Z-593 03.12.00	1

Loading arm, set

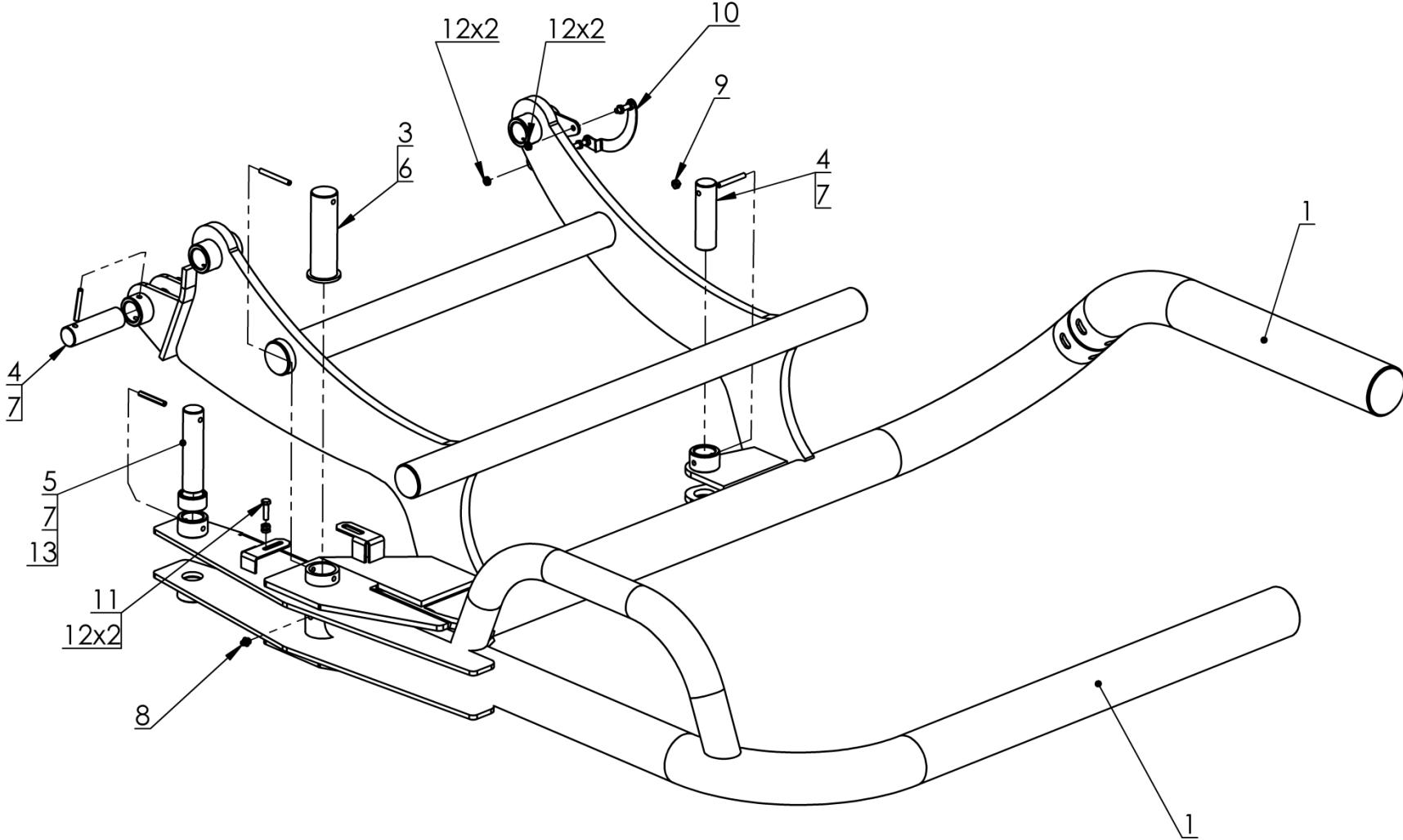


Table 4

LOADING ARM, SET			
No. in dwg	Name of assembly or part	Drawing number or index	Quantity (pcs.)
1	Arm I	Z-593E 04.01.00	1
2	Arm II	Z-593E 04.02.00	1
3	Pin I	Z-593 04.03.00	1
4	Pin II	Z-593 04.00.04.1	2
5	Pin III	Z-593 04.00.05.1	1
6	Spring pin, \varnothing 8x70 PN/M-82023	POD-ELZ-000020-1	1
7	Spring pin, \varnothing 8x60 PN/M-82023	POD-ELZ-000009-1	3
8	Straight grease nipple, M10x1 PN/M-86002	23SM10/1	1
9	Straight grease nipple, M6x1 PN/M-86002	23SM	2
10	Loading sensor activator	Z-593E 04.05.00	1
11	Bolt M8x30 PN/M-82105	23S8/30GALV 8.8	1
12	Nut, M8 PN/M-82144	23N8GALV	6
13	Spacer	Z-593 04.00.06	1

BALE POSITIONING DEVICE

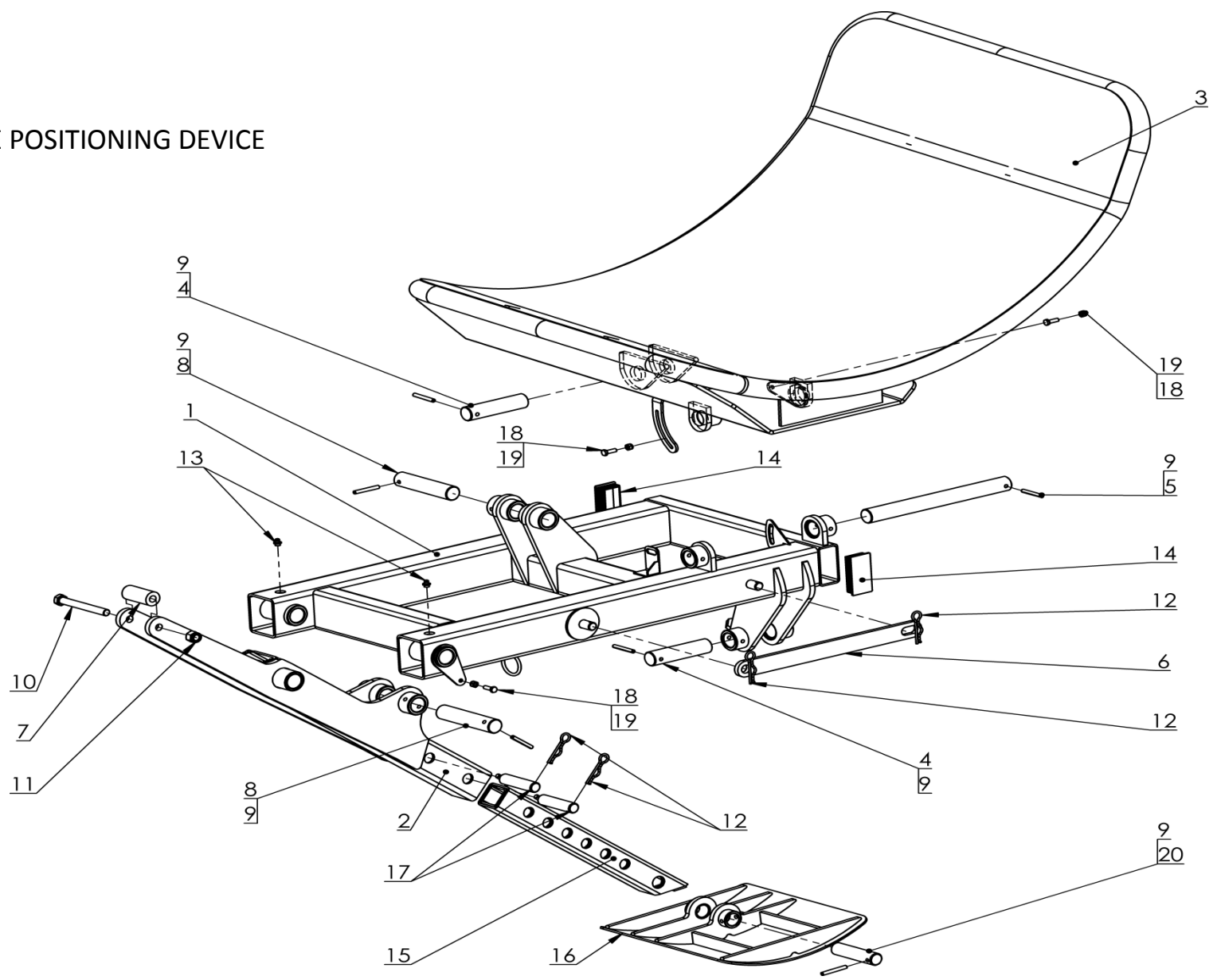


Table 5

BALE POSITIONING DEVICE			
No. in dwg	Name of assembly or part	Drawing number or index	Quantity (pcs.)
1	Device arm	Z-593E 05.01.00.1	1
2	Stand arm	Z-593E 05.02.00.2	1
3	Cradle	Z-593E 05.03.00.2	1
4	Pin I	Z-593 05.00.04.1	2
5	Cradle pin	Z-593 05.00.05	1
6	Collateral	Z-593 05.00.06.1	1
7	Roller	Z-593 05.00.07	1
8	Pin IV	Z-593 01.00.06.1	2
9	Spring pin, Ø8x60 PN/M-85023	POD-ELZ-000009-1	6
10	Bolt, M16x140 8.8 PN/M-82101	23S16/140GALV 8.8	1
11	Nut, M16 PN/M-82175	23NS16GALV	1
12	Spring cotter pin, single, Ø4 DIN 11024	23ZRFI4	4
13	Straight grease nipple, M10x1 PN/M-86002	23SM10/1	3
14	Rectangle pipe insert 100x50	23WRP	2
15	Adjustment arm, set.	Z-593E 05.04.00	1
16	Stand, set	Z-593E 05.05.00	1
17	Stand locking pin, set	Z-593E 05.06.00	2
18	Bolt M8x25 PN/M-82105	23S8/25GALV8.8	2
19	Nut, M8 PN/M-82175	23NS8GALV	2
20	Pin	Z-593E 05.00.09	1

HITCH, SET

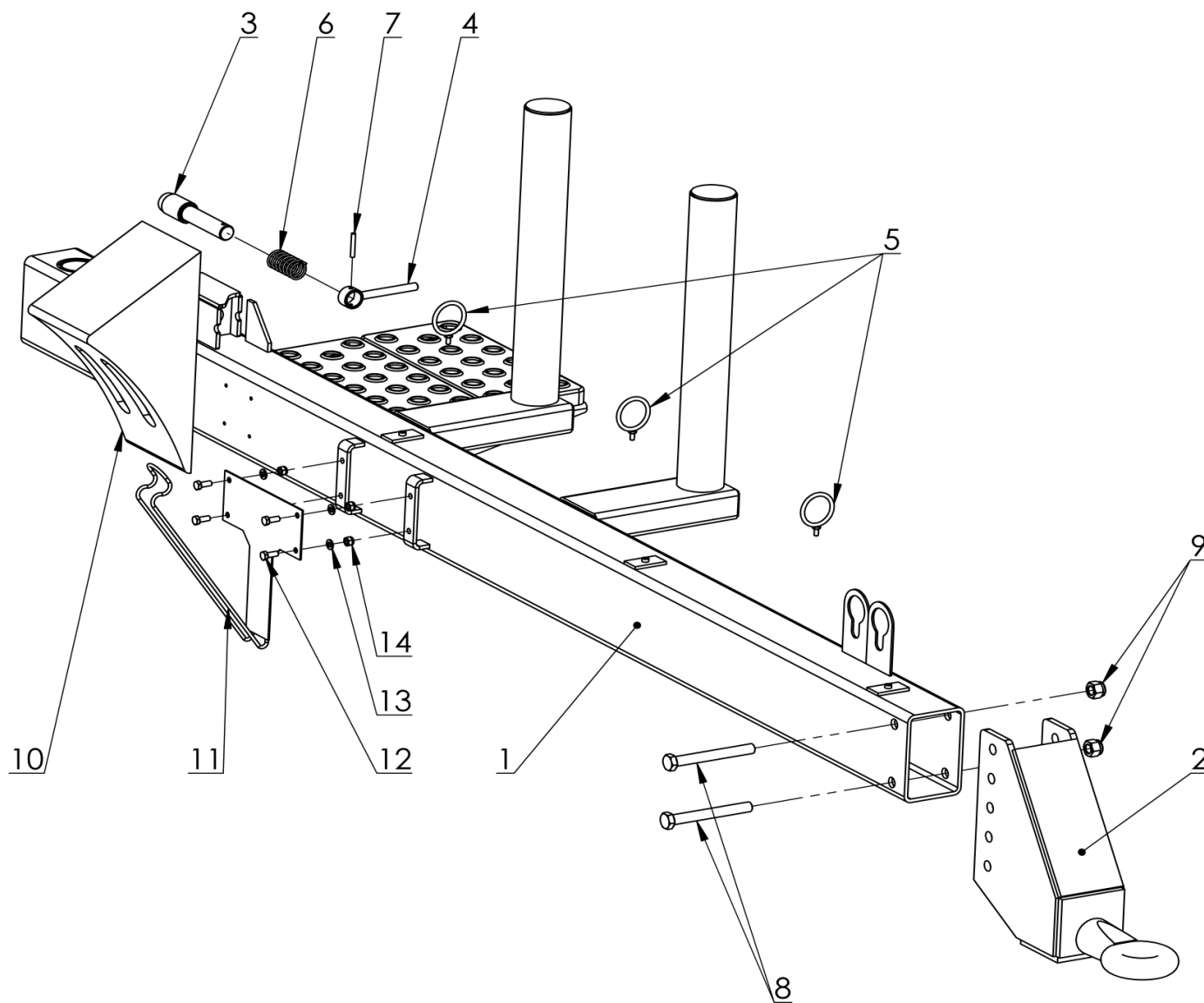
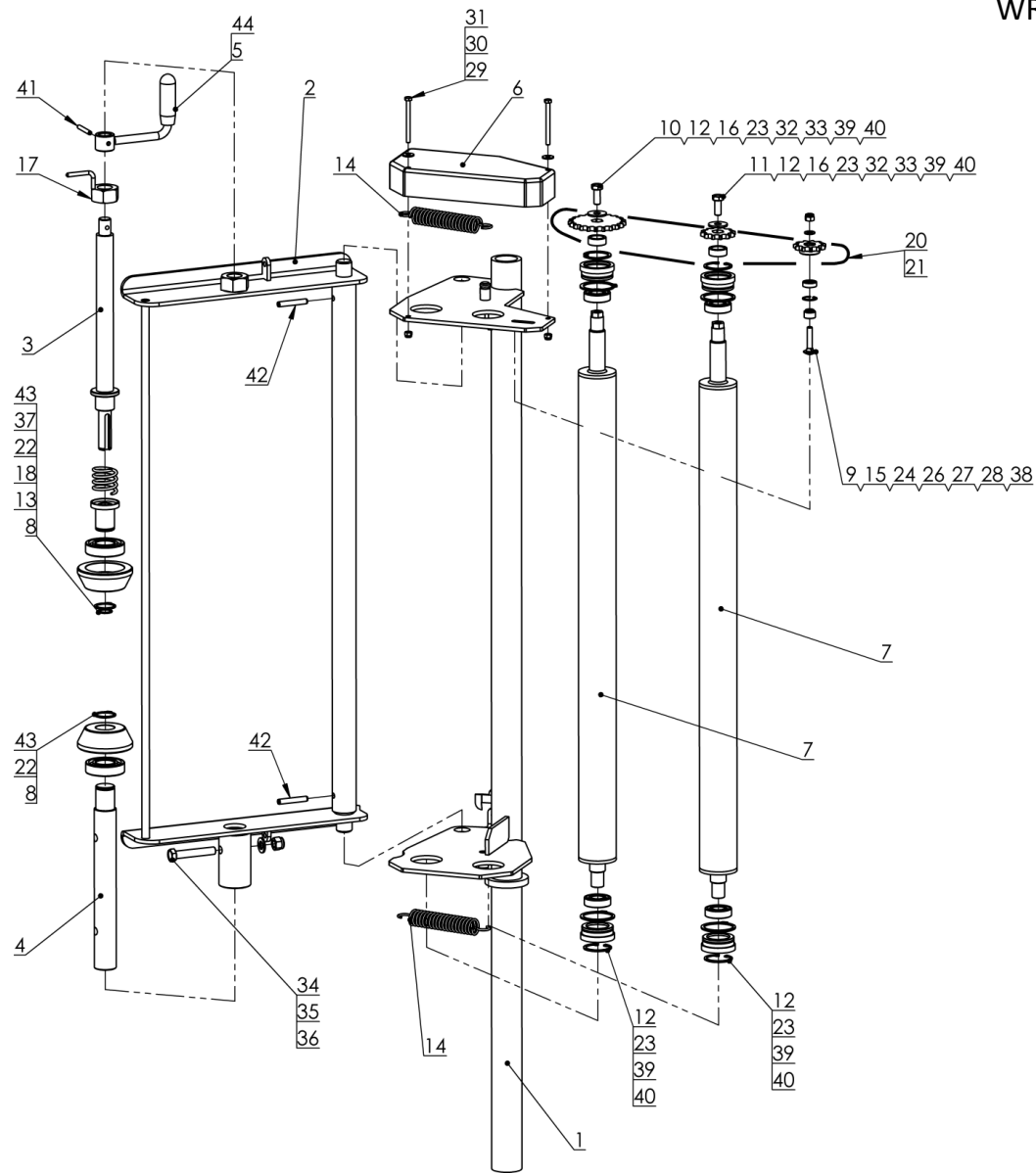


Table 6

HITCH, SET			
No. in dwg	Name of assembly or part	Drawing number or index	Quantity (pcs.)
1	Hitch I	Z-593E 06.01.00.1	1
2	Hitch II	Z-593E 06.02.00	1
3	Locking pin	Z-593 06.00.03	1
4	Handle	Z-593 06.04.00	1
5	Fixing element	Z-593 06.05.00	3
6	Lock spring	POD-SPR-000050	1
7	Spring pin, Ø6x40 PN/M-85023	23K6/40	1
8	Bolt, M16x140 8.8 PN/M-82101	23S16/140GALV 8.8	2
9	Nut, M16 PN/M-82175	23NS16GALV	2
10	Wheel chock	POD-OGL-000027-1	1
11	Chock handle	POD-OGL-000028-1	1
12	Bolt, M8x20 8.8 PN/M-82105	23S8/20GALV 8.8	4
13	Washer, M8 PN/M-82005	23POGALV	4
14	Nut, M8 PN/M-82175	23NS8GALV	4

WRAPPING FILM FEEDER, SET
1/2



WRAPPING FILM FEEDER, SET
2/2

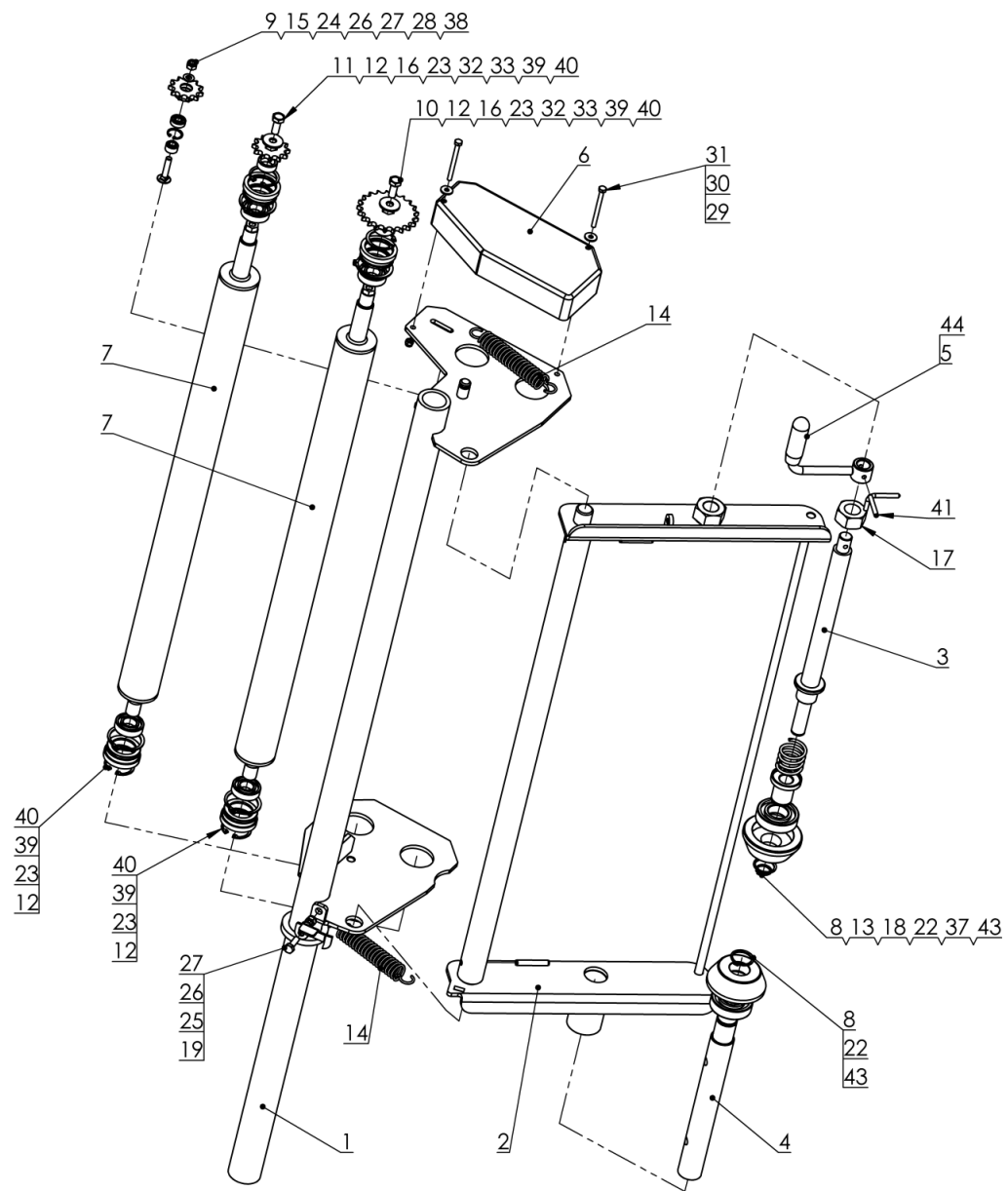


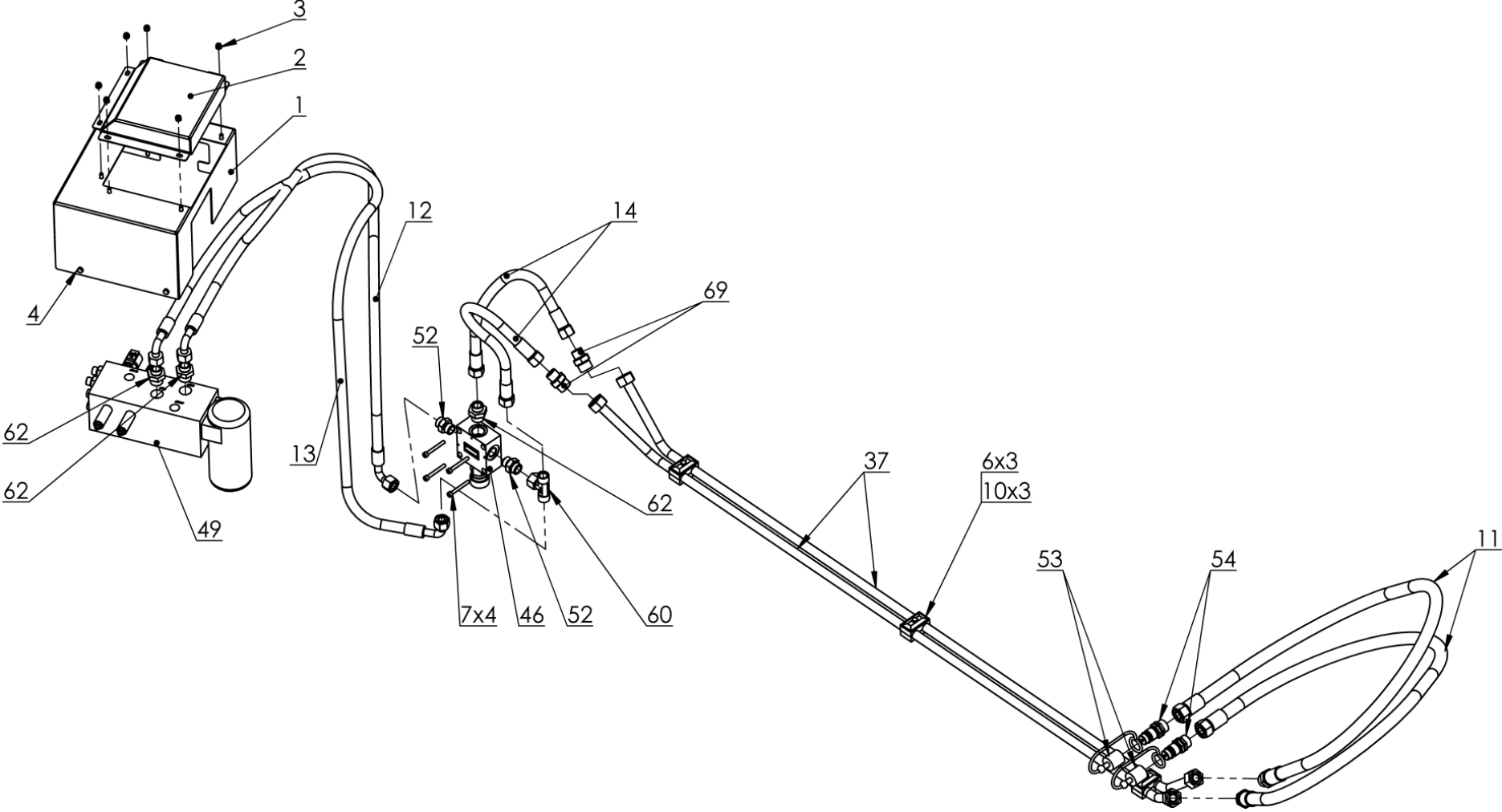
Table 7

WRAPPING FILM FEEDER, SET			
No. in dwg	Name of assembly or part	Drawing number or index	Quantity (pcs.)
1	Mounting bracket	Z-593 07.01.00	1
2	Wrapping film bracket, set	Z-593 02.02.00	1
3	Adjusting screw, ver. 2	25OSRZ-560 02.36.00/1	1
4	Lower roll	25WDZ-560 02.00.35/1	1
5	Handle, set	Z-560 02.37.00.1	1
6	Lid	POD-TSZ-000033	1
7	Stretcher roll, set	Z-560 02.24.00	2
8	Upper pressure element	Z-560 02.00.41.1	2
9	Z-11 chain wheel	25KLZ-560 02.00.09	1
10	Z-21 chain wheel	25KLZ-560 02.00.32	1
11	Z-12 chain wheel	25KLZ-560 02.00.030	1
12	Roll holder	25ZSZ-577 02.00.25	4
13	Feeder spring II	23S4/32/50	1
14	Spring I	23SPN3/23/135 MAZ1771/1	2
15	Spacing bushing II	25ZSZ-577 02.00.08	1
16	Spacing bushing III	25TDZ-560 02.00.26	2
17	Locknut, M27	Z-560 02.38.00	1
18	Bush	25TZ-560 02.00.31	1
19	Lock	Z-560 02.00.04	1
20	Roller chain, 08B-1-43 PN77/M-84168	25LO08B1 43OGN	1
21	Straight fastening link, 08B1 PN77/M-84168	25LO08P	1
22	Bearing, 6206 2RS	25L6206	2
23	Bearing, 6004 2RS	25L6004	4
24	Bearing, 608 2RS	25L608 2RS	1
25	Bolt, M8x30 8.8 PN/M-82105	23S8/30GALV 8.8	1
26	Nut, M8 PN/M-82175	23NS8GALV	2

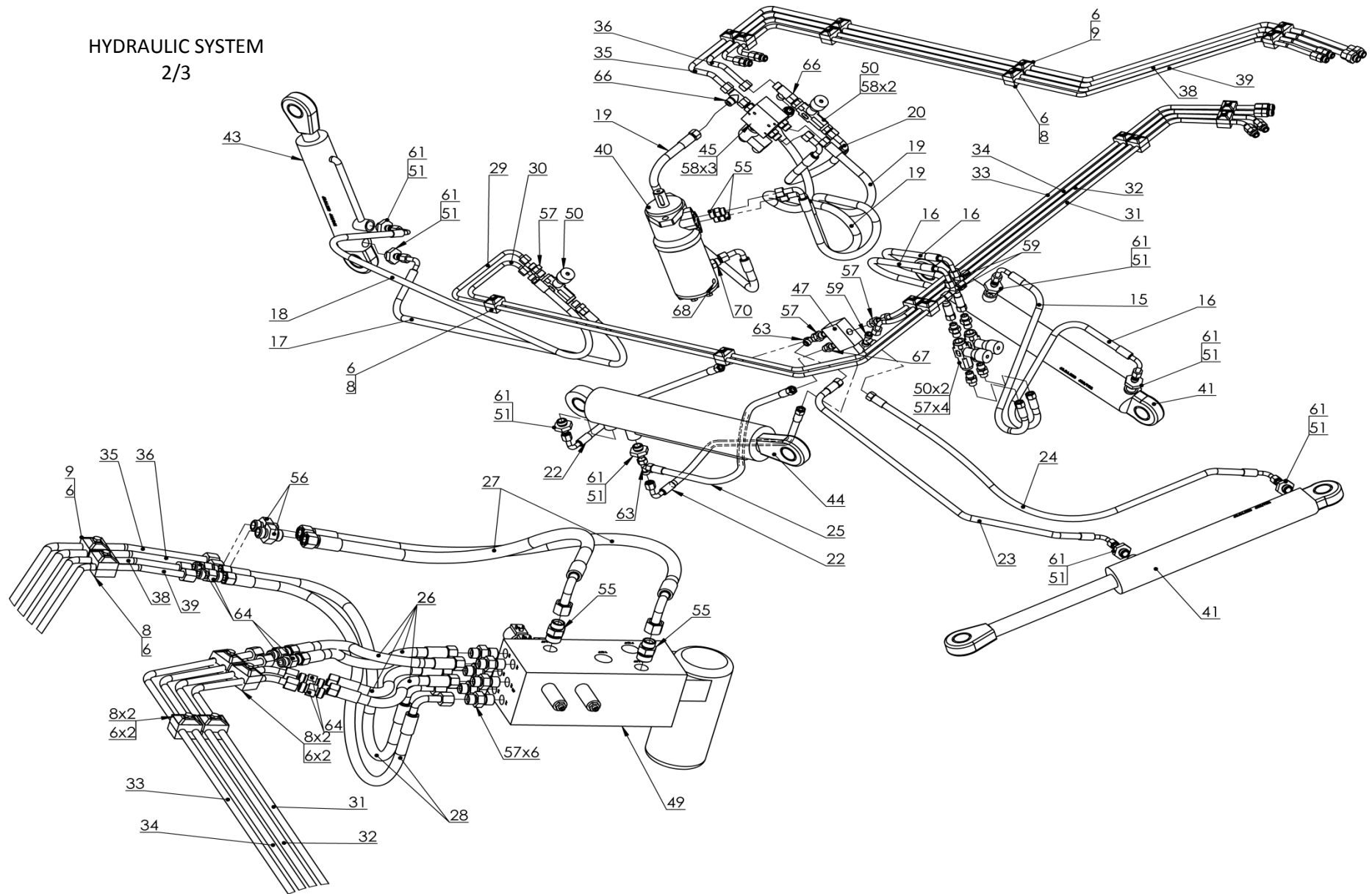
Table 7, continued

WRAPPING FILM FEEDER, SET			
No. in dwg	Name of assembly or part	Drawing number or index	Quantity (pcs.)
27	Washer, M8 PN/M-82005	23P8OGALV	2
28	Bolt, M8x40 8.8 PN/M-82406	23S8/40P	1
29	Bolt, M6x60 8.8 PN/M-82101	23S6/60GALV 8.8	2
30	Nut, M6 PN/M-82175	23NS6GALV	2
31	Washer, M6 PN/M-82030	23P6GALV 030	2
32	Bolt, M10x25 8.8 PN/M-82105	23S10/25GALV 8.8	2
33	Washer, M10 PN/M-82030	23P10GALV 030	2
34	Bolt, M12x70 8.8 PN/M-82101	23S12/70GALV 8.8	1
35	Nut, M12 PN/M-82175	23NS12GALV	1
36	Washer, M12 PN/M-82005	23P12GALV	1
37	External Seger ring, Z-20 PN/M-85111	23SZ20	1
38	Internal Seger ring, W-22 PN/M-85111	23SW22	1
39	Internal Seger ring, W-42 PN/M-85111	23SW42	4
40	External Seger ring, Z-50 PN/M-85111	23SZ50	4
41	Spring pin, Ø6x45 PN/M-85023	23K6/45	1
42	Spring pin, Ø8x50 PN/M-85023	23K8/50	2
43	External Seger ring, Z-30 PN/M-85111	23SZ30	2
44	Holder grip	25RP	1

HYDRAULIC SYSTEM
1/3



HYDRAULIC SYSTEM
2/3



HYDRAULIC SYSTEM 3/3

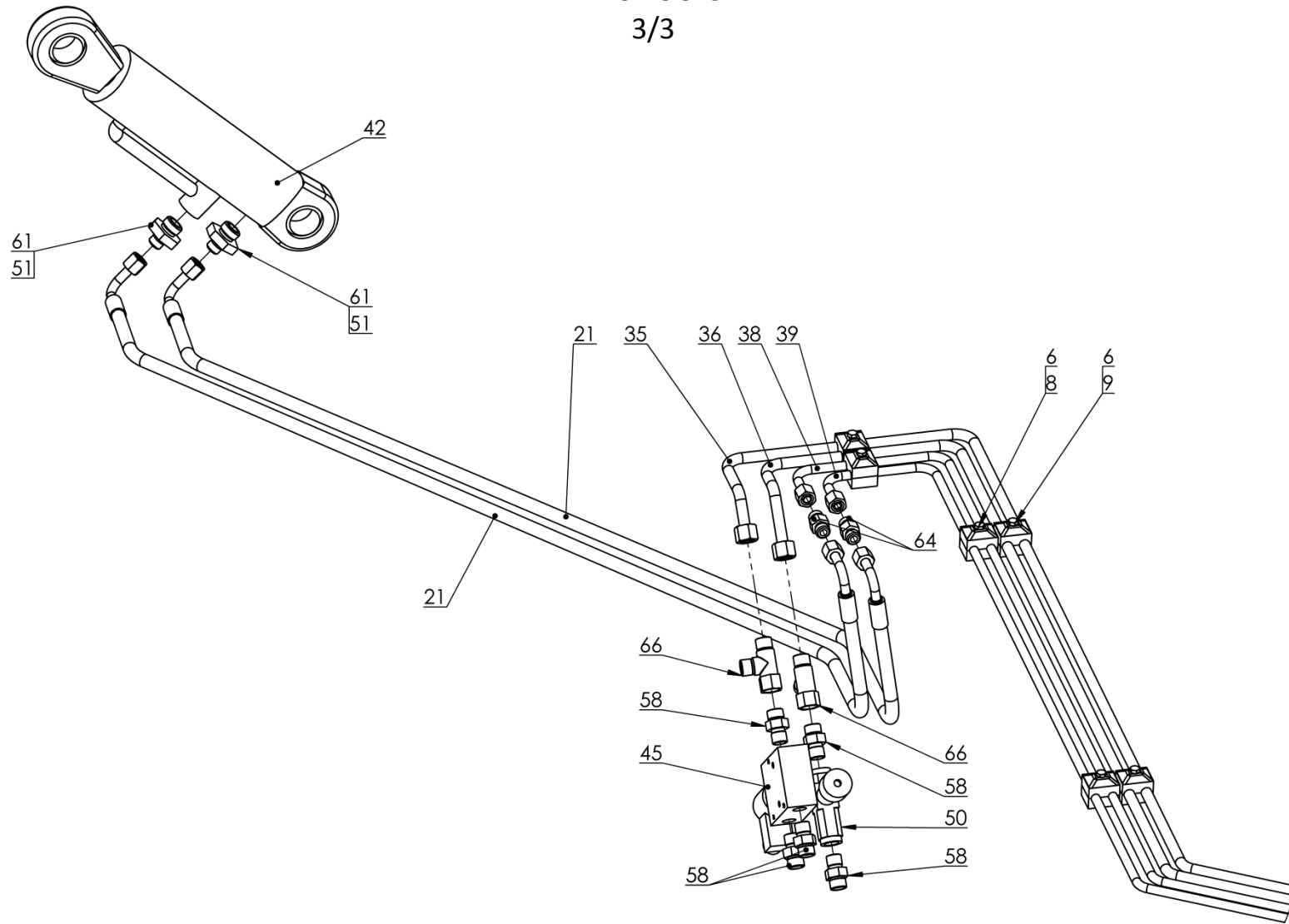


Table 8

HYDRAULIC SYSTEM			
No. in dwg	Name of assembly or part	Drawing number or index	Quantity (pcs.)
1	Separator cover, set	Z-593E 08.01.00	1
2	Cover upper plate	Z-593E 08.01.02	1
3	Nut, M6 PN/M-82175	23NS6GALV	6
4	Bolt M6x16 PN/M-82105	23S6/16 8.8GALV	4
5	Bolt M6x20 PN/M-82105	23S6/20	1
6	Bolt M6x35 PN/M-82105	23S16/35 8.8GALV	19
7	Bolt M6x50 PN/M-82302	23S16/50 8.8	4
8	HBK Ø10x2 holder - double	POD-HPZ-000029-1	12
9	HBK Ø12x2 holder - double	POD-HPZ-000010-1	4
10	HBK Ø18x2 holder - double	POD-HPZ-000005-1	3
11	Hydraulic line AB/133/16 L-1500	POD-HPR-000423	2
12	A90A90/133/13 K180 L-1400	POD-HPR-000423	1
13	A90A90/133/13 K180 L-1600	POD-HPR-000423	1
14	AA/133/13 L-400	POD-HPR-000423	2
15	AA90/111/8 L-600	POD-HPR-000423	1
16	AA90/111/8 L-550	POD-HPR-000423	3
17	AA90/111/8 L-1100	POD-HPR-000423	1
18	A90B/111/8 L-1000	POD-HPR-000423	1
19	AA90/111/10 L-800	POD-HPR-000423	3
20	A90A90/111/10 L-400	POD-HPR-000423	1
21	A90A90/111/10 L-1600	POD-HPR-000423	2
22	AA90/111/8 L-750	POD-HPR-000423	2
23	AA90/111/8 L-900	POD-HPR-000423	1
24	AA90/111/8 L-1300	POD-HPR-000423	1
25	AA/111/8 L-750	POD-HPR-000423	1
26	AA/111/8 L-300	POD-HPR-000423	4

Table 8, continued

HYDRAULIC SYSTEM			
No. in dwg	Name of assembly or part	Drawing number or index	Quantity (pcs.)
27	AA90/111/10 L-650	POD-HPR-000423	2
28	AA90/111/8 L-700	POD-HPR-000423	2
29	Steel hydraulic line I	POD-HPR-000423	1
30	Steel hydraulic line II	POD-HPR-000423	1
31	Steel hydraulic line III	POD-HPR-000423	1
32	Steel hydraulic line IV	POD-HPR-000423	1
33	Steel hydraulic line V	POD-HPR-000423	1
34	Steel hydraulic line VI	POD-HPR-000423	1
35	Steel hydraulic line VII	POD-HPR-000423	1
36	Steel hydraulic line VIII	POD-HPR-000423	1
37	Steel hydraulic line IX	POD-HPR-000423	2
38	Steel hydraulic line XI	POD-HPR-000423	1
39	Steel hydraulic line XII	POD-HPR-000423	1
40	ZBMR-200 hydraulic motor with brake	POD-HPZ-000127	1
41	Actuator 63/36/320z	24SCJ2F63/36/320Z	2
42	Actuator Z593-63/36/144 (390/534)	POD-HSL-000019-1	1
43	Actuator Z593-63/36/200 (446/646)	POD-HSL-000020-1	1
44	Actuator Z593-80/45/320	POD-HSL-000037	1
45	Three-way electric valve 569.583.0DA.ED0	POD-HZW-000007-1	1
46	Flow regulating valve TVTC-50-NV-1/2-3/4	POD-HZW-000020-1	1
47	Braking valve SBVE-R1/2-01X-XXXV	POD-HZW-000056	1
48	Connection body R08021-10X-01	POD-HZW-000057	1
49	Valve — valve block P8200670068	POD-HZW-000058	1
50	Throttle-check valve, VRFU 90-3/8"	24ZD	4
51	O-ring PPM 22 30x22	24UPPM22	10
52	Straight coupling, 1/2"x22-1.5	24K1/2 22	2

Table 8, continued

HYDRAULIC SYSTEM			
No. in dwg	Name of assembly or part	Drawing number or index	Quantity (pcs.)
53	EURO 13 plug valve adapter (green, yellow, blue)	24ZWNE13	2
54	Euro 13 valve-plug, M26x1.5	POD-HZW-000059	2
55	Straight coupling, 1/2"x18-1.5	24KP1/2 18	4
56	Straight coupling 18x18-1.5	24KP18/18	2
57	Straight coupling, 3/8"x16-1.5	24KP3/8 16	14
58	Straight coupling 3/8"x18-1.5 12LR	24KP3/8 18	5
59	Tee-connector, 16x16x16 10L	24KT16/16/16	3
60	Symm. tee-connector 22x22x22 (screw-on top)	24TN22/22/22	1
61	Straight connector 22x1.5-16x1.5 (S27 connector)	POD-HKR-000004-1	10
62	Straight connector 3/4"xM22x1.5 15LR	POD-HKR-000016-1	3
63	Assym. tee-connector 16x16x16-1.5 10L nut side	POD-HKR-000063	2
64	Straight coupling, 16x16-1.5 10L	POD-HKR-000083	8
65	Straight connector 3/4"x 26x1.5 18LR	POD-HKR-000116	2
66	Assym. tee-connector 18x18x18-1.5 12L nut side	POD-HKR-000121	2
67	Straight coupling 1/4"/M16x1.5	POD-HKR-000126	1
68	Plug 1/4" ED hex	POD-HKR-000129	1
69	Straight coupling, 22x1.5 15L/26x1.5 18L	POD-HKR-000130	2
70	Straight coupling 1/4"-M18x1.5 12LR	POD-HPZ-000008-1	1

Note: items from 11 to 39 – set no. 23-E Z593 electric wrapper

LIGHTING ELECTRICAL SYSTEM

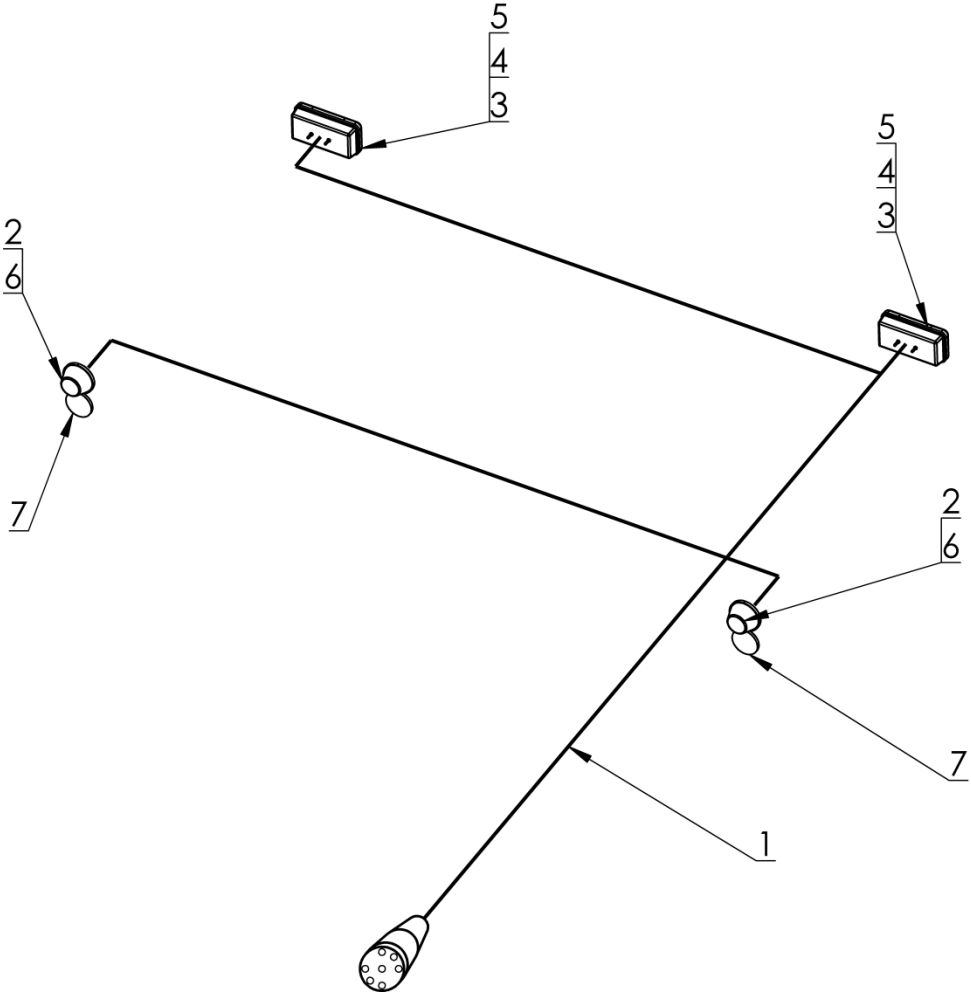


Table 9

LIGHTING ELECTRICAL SYSTEM			
No. in dwg	Name of assembly or part	Drawing number or index	Quantity (pcs.)
1	Wire harness	POD-ELK-000141	1
2	Front parking lamp, E92D	26LP	2
3	Tail cluster lamp, LT-90	26LT	2
4	Light bulb, 12V 21/5W	26Z12V21/5W	2
5	Light bulb, 12V 21W	26Z12V21W	2
6	Light bulb, 12V 5W	26Z12V5W	2
7	White round reflective light	POD-ELK-000089	2

ELECTRICAL CONTROL SYSTEM

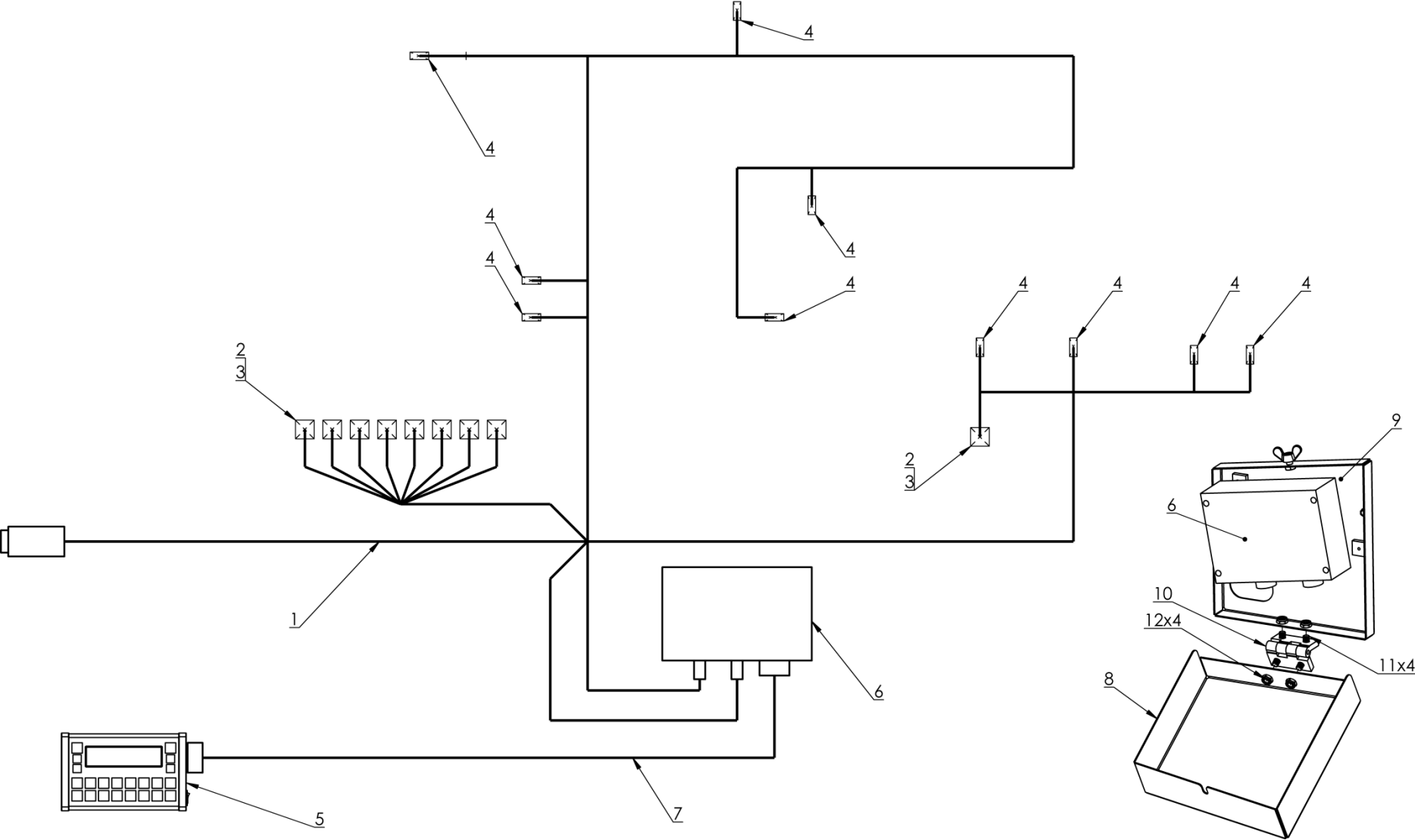


Table 10

ELECTRICAL CONTROL SYSTEM			
No. in dwg	Name of assembly or part	Drawing number or index	Quantity (pcs.)
1	Z593-0E wrapper wire harness	POD-ELK-000236	1
2	GDM DIN 43650 plug	POD-ELK-000244	9
3	Flanged seal GDM3-16 NBR	POD-ELK-000245	9
4	Induction sensor Z593	POD-ELK-000215	10
5	Panel meter Z593	POD-ELK-000213	1
6	ARASOMF Z593 module	POD-ELK-000214	1
7	Meter cable RS-10m Z593	POD-ELK-000216	1
8	Box II	Z-593E 09.00.01	1
9	Box I set	Z-593E 09.01.00	1
10	Hinge N272 CFM.60 SH-8	POD-OGI-000378	1
11	Bolt, M8x20 PN/M-82208	23W8/20GALV	4
12	Nut, M8 PN/M-82175	23NS8GALV	4